

1

2

3

4

5

6

7

8

THE INFORMATION CONTAINED IN THIS DRAWING IS THE SOLE PROPERTY OF THE AUTHOR.
ANY REPRODUCTION IN PART OR WHOLE IS STRICTLY PROHIBITED WITHOUT WRITTEN PERMISSION.

PROPRIETARY

A

B

C

D

E

Telit Board "Bravo"
03 May 2020 Rev D.0

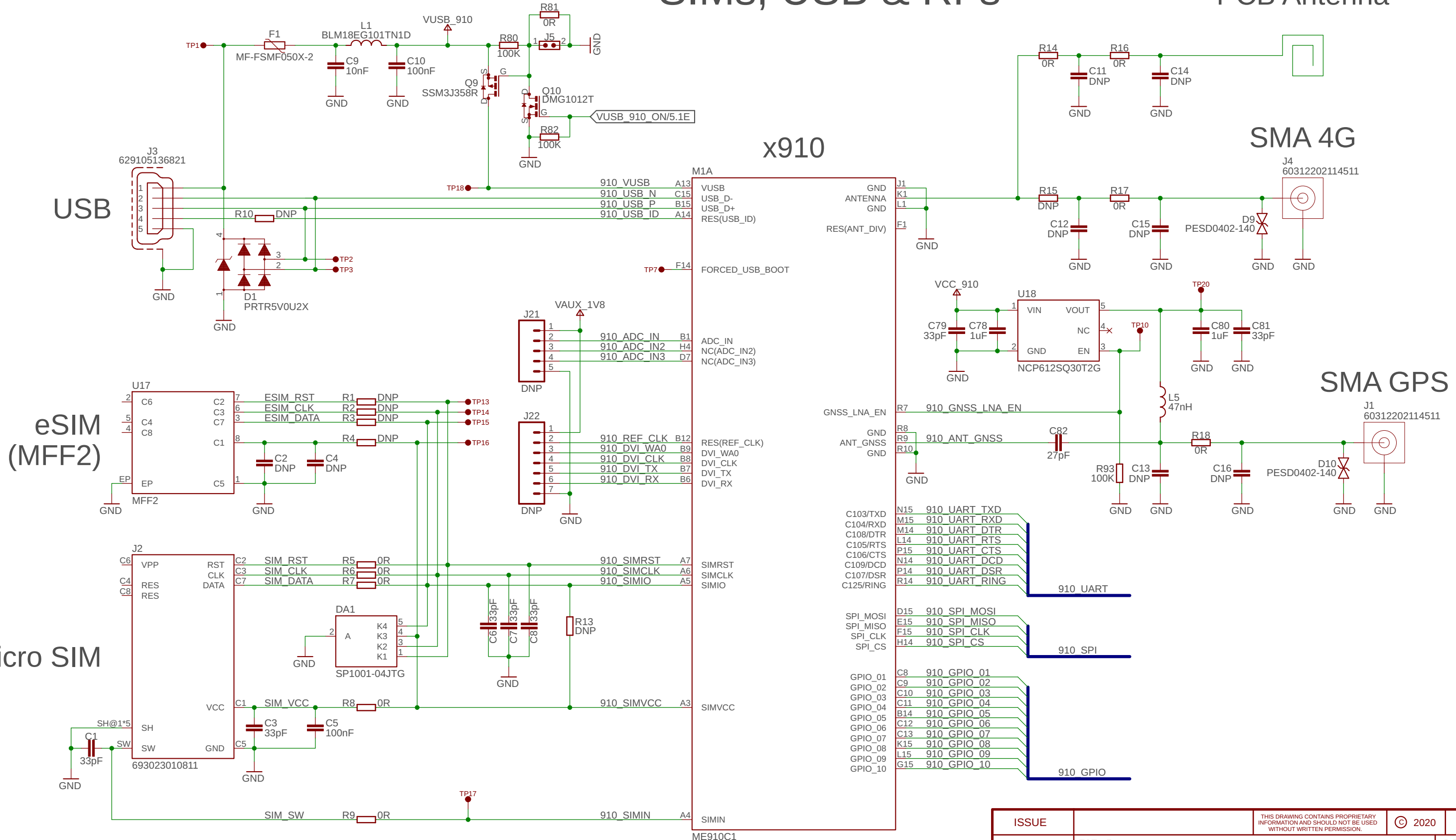
ISSUE		THIS DRAWING CONTAINS PROPRIETARY INFORMATION AND SHOULD NOT BE USED WITHOUT WRITTEN PERMISSION.	© 2020	
DRAWN	TITLE Telit Board "Bravo"			REV D.0
CHECKED	DATE 03.05.20 19:44		DRG N ^o 191019-CP	
DATE 03 May 2020	FILE: 191019_Telit_Bravo_DO			PAGE: 1/10

THE INFORMATION CONTAINED IN THIS DRAWING IS THE SOLE PROPERTY OF THE AUTHOR.
 ANY REPRODUCTION IN PART OR WHOLE IS STRICTLY PROHIBITED WITHOUT WRITTEN PERMISSION.

PROPRIETARY

SIMs, USB & RFs

PCB Antenna



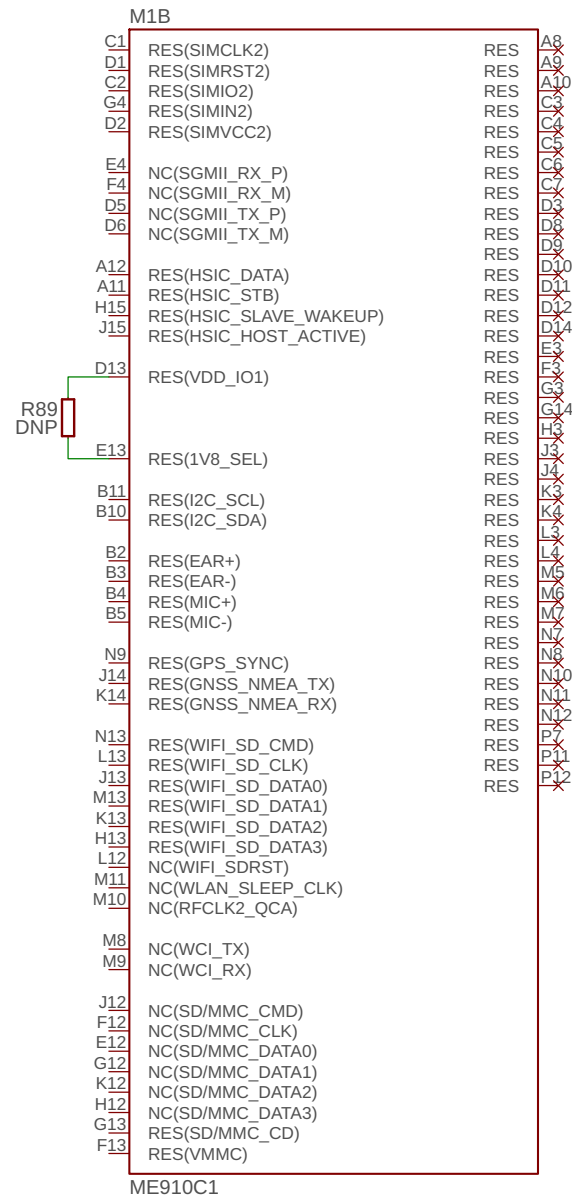
ISSUE	THIS DRAWING CONTAINS PROPRIETARY INFORMATION AND SHOULD NOT BE USED WITHOUT WRITTEN PERMISSION.		© 2020
DRAWN	TITLE Telit Board "Bravo"		REV D.0
CHECKED	DATE 03.05.20 19:44	DRG N° 191019-CP	
DATE 03 May 2020	FILE: 191019_Telit_Bravo_DO	PAGE: 2/10	

THE INFORMATION CONTAINED IN THIS DRAWING IS THE SOLE PROPERTY OF THE AUTHOR.
 ANY REPRODUCTION IN PART OR WHOLE IS STRICTLY PROHIBITED WITHOUT WRITTEN PERMISSION.

PROPRIETARY

ME910C1 Reserved pins

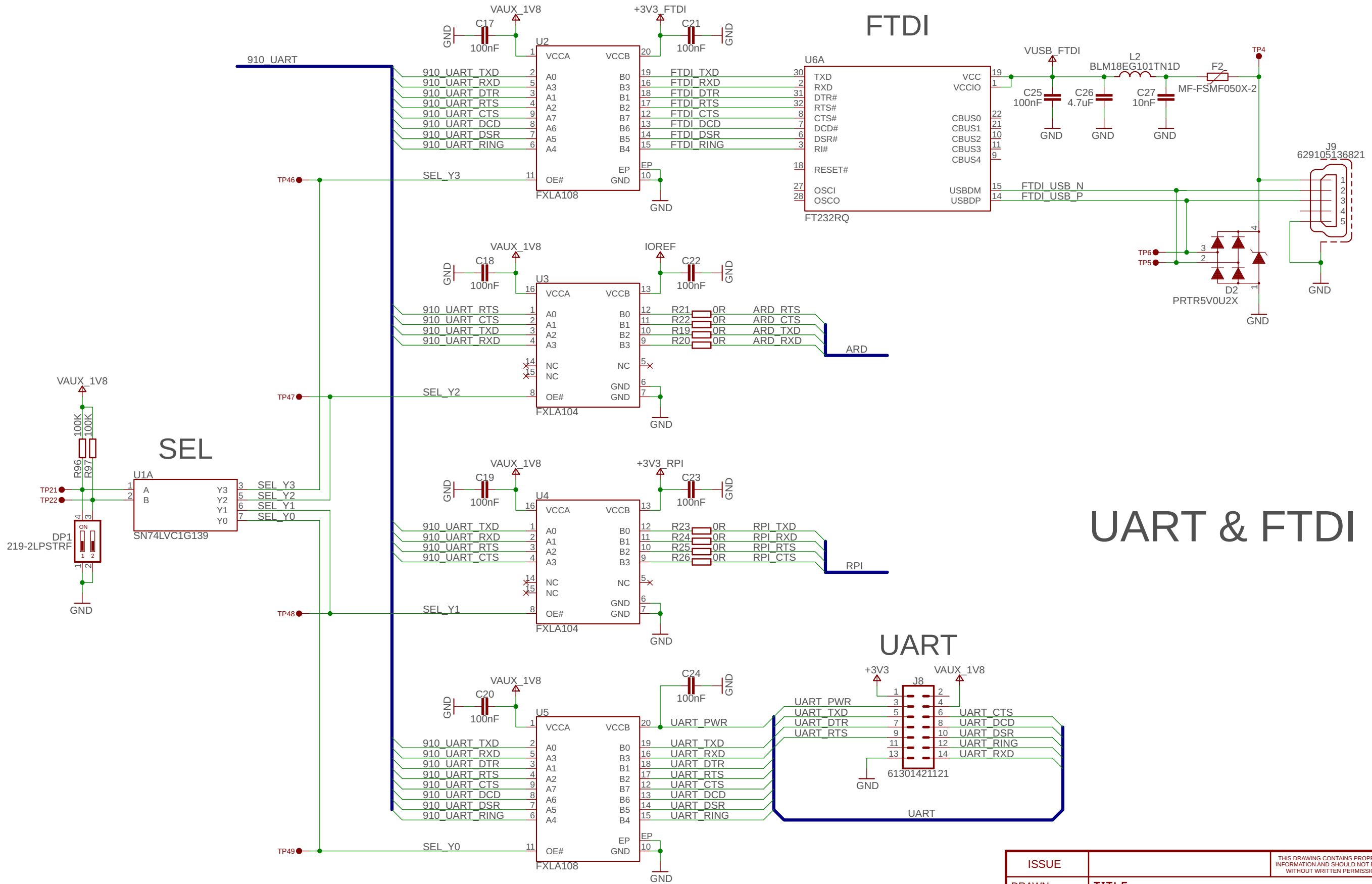
x910



ISSUE	THIS DRAWING CONTAINS PROPRIETARY INFORMATION AND SHOULD NOT BE USED WITHOUT WRITTEN PERMISSION.		© 2020
DRAWN	TITLE Telit Board "Bravo"		REV D.0
CHECKED	DATE 03.05.20 19:44	DRG N° 191019-CP	
DATE 03 May 2020	FILE: 191019_Telit_Bravo_DO	PAGE: 3/10	

THE INFORMATION CONTAINED IN THIS DRAWING IS THE SOLE PROPERTY OF THE AUTHOR.
 ANY REPRODUCTION IN PART OR WHOLE IS STRICTLY PROHIBITED WITHOUT WRITTEN PERMISSION.

PROPRIETARY



UART & FTDI

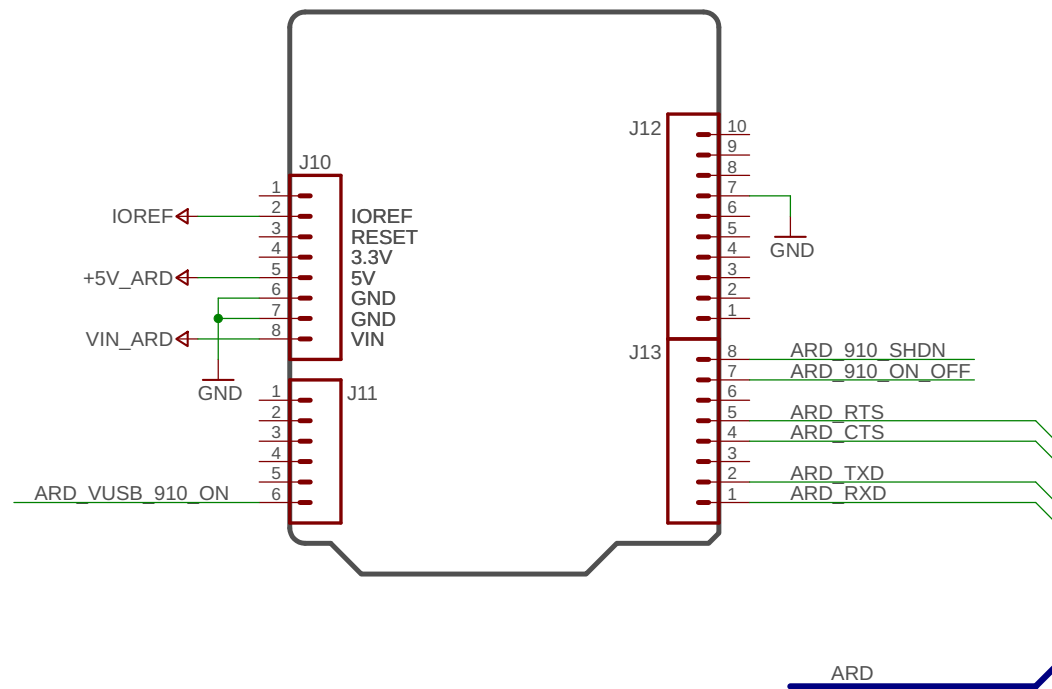
ISSUE	THIS DRAWING CONTAINS PROPRIETARY INFORMATION AND SHOULD NOT BE USED WITHOUT WRITTEN PERMISSION.		© 2020
DRAWN	TITLE Telit Board "Bravo"		REV D.0
CHECKED	DATE 03.05.20 19:44	DRG N° 191019-CP	
DATE 03 May 2020	FILE: 191019_Telit_Bravo_DO	PAGE: 4/10	

THE INFORMATION CONTAINED IN THIS DRAWING IS THE SOLE PROPERTY OF THE AUTHOR.
 ANY REPRODUCTION IN PART OR WHOLE IS STRICTLY PROHIBITED WITHOUT WRITTEN PERMISSION.

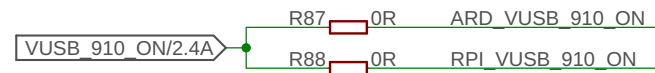
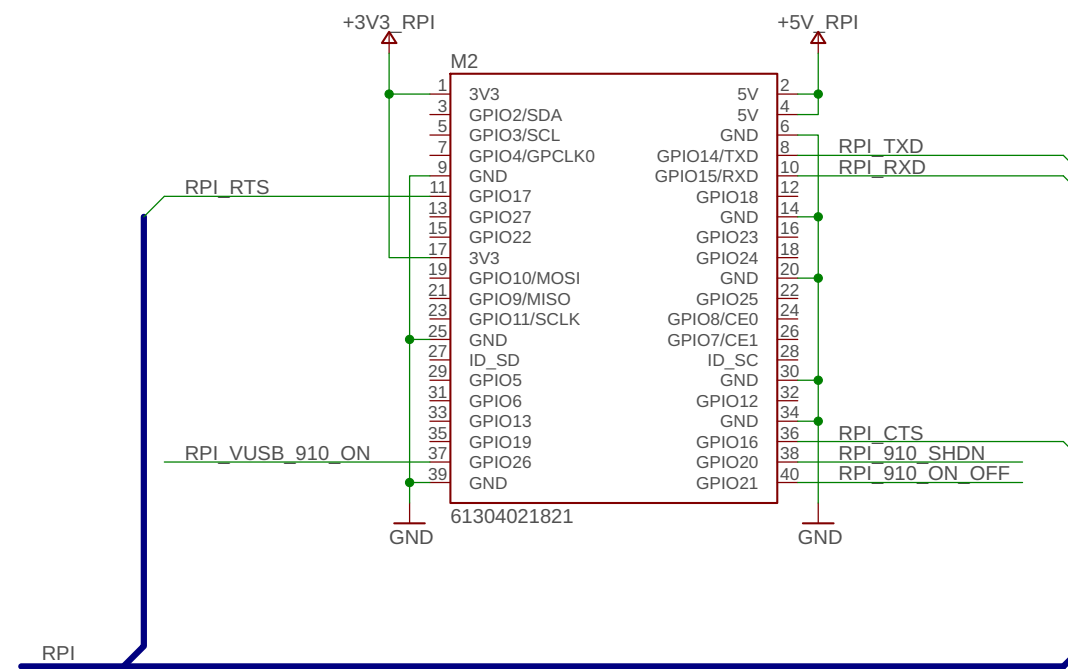
PROPRIETARY

Arduino & Raspberry PI

Arduino



Raspberry PI

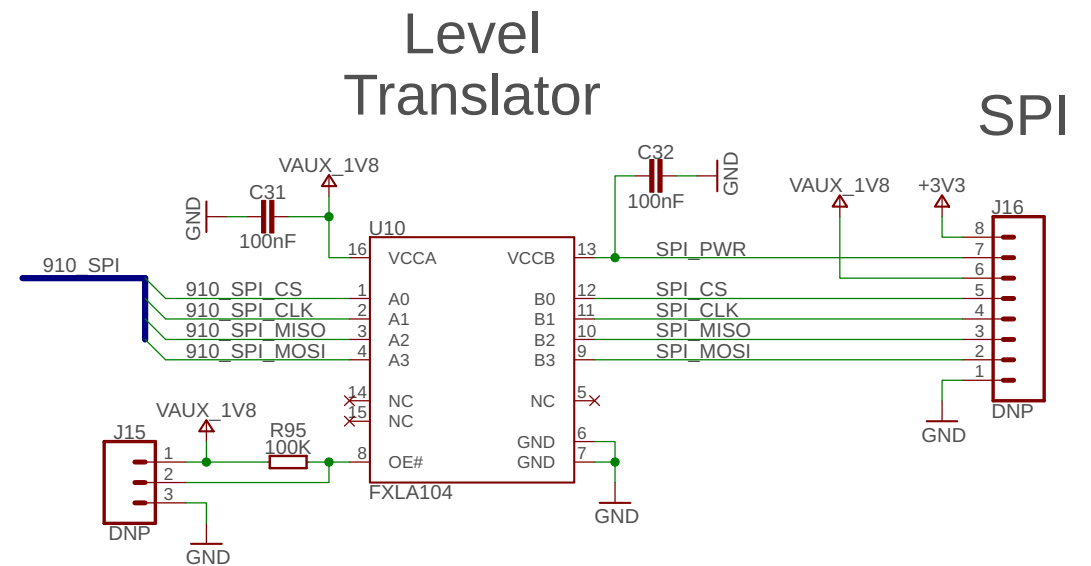
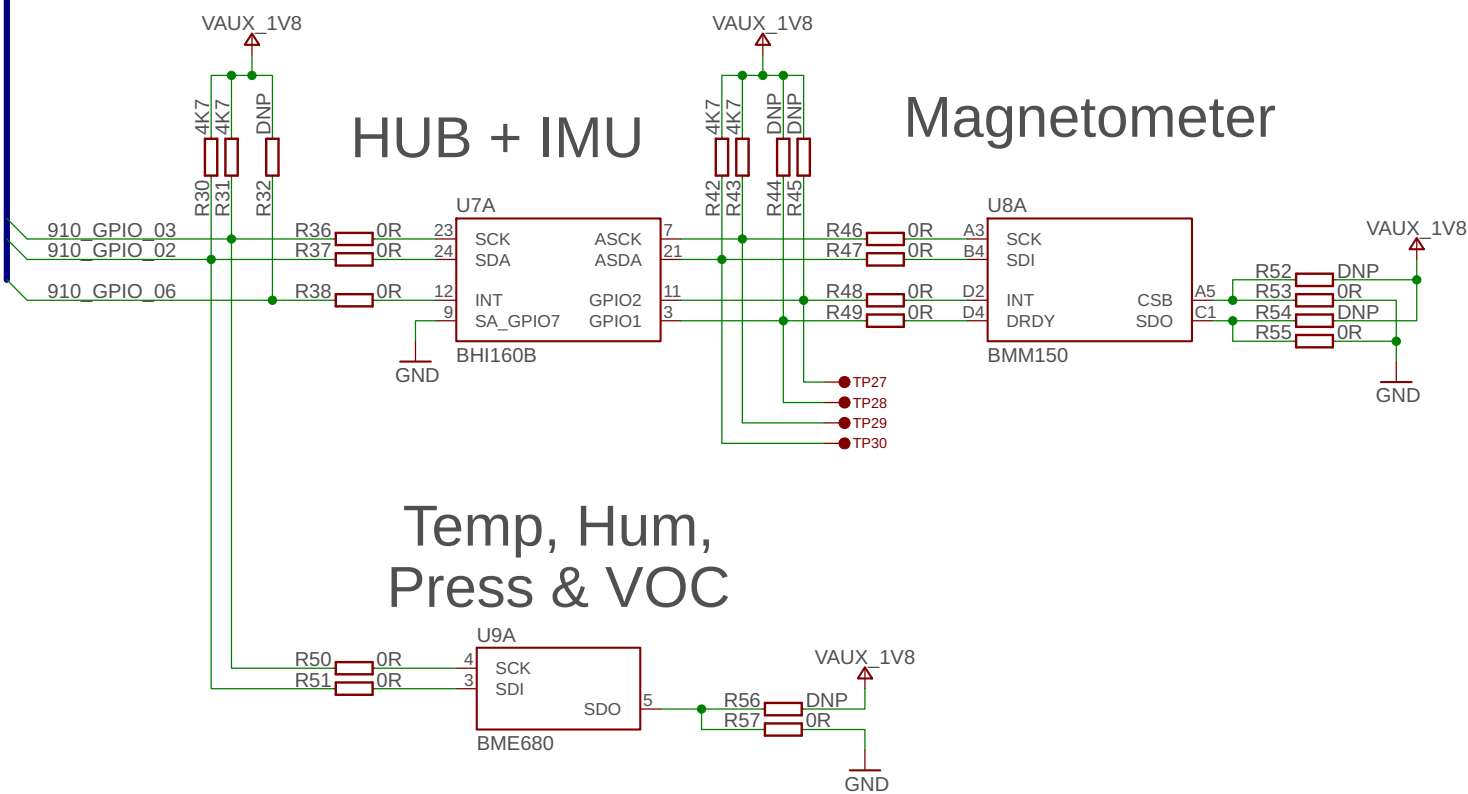
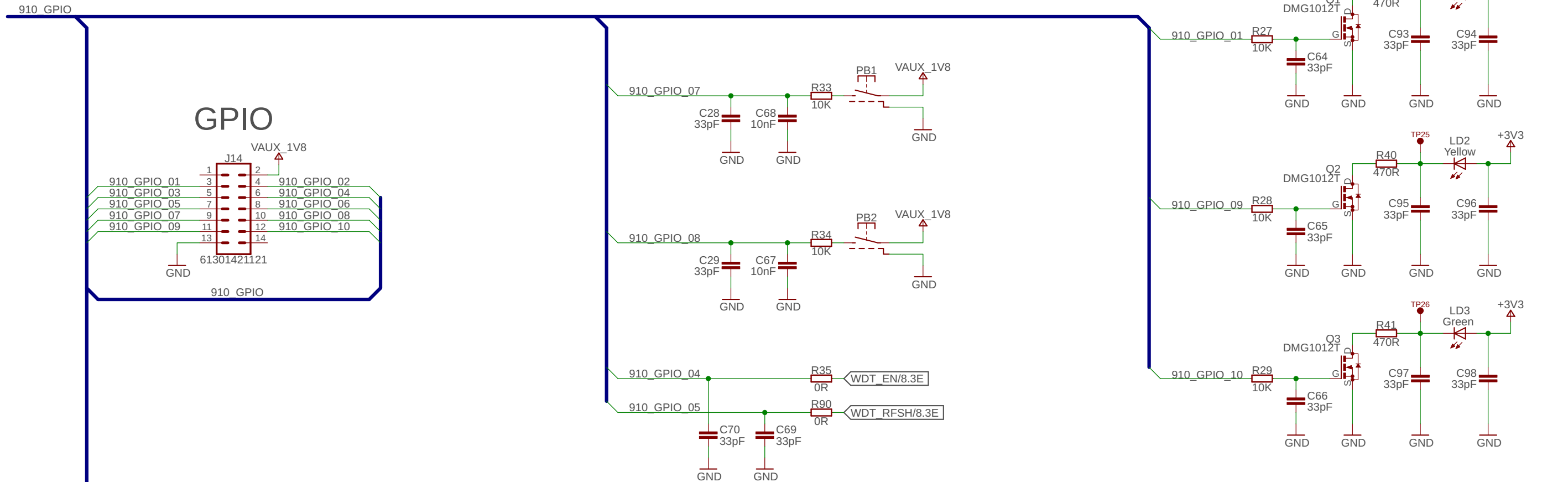


ISSUE	THIS DRAWING CONTAINS PROPRIETARY INFORMATION AND SHOULD NOT BE USED WITHOUT WRITTEN PERMISSION.		© 2020
DRAWN	TITLE Telit Board "Bravo"		REV D.0
CHECKED	DATE 03.05.20 19:44	DRG N° 191019-CP	
DATE 03 May 2020	FILE: 191019_Telit_Bravo_DO	PAGE: 5/10	

THE INFORMATION CONTAINED IN THIS DRAWING IS THE SOLE PROPERTY OF THE AUTHOR.
 ANY REPRODUCTION IN PART OR WHOLE IS STRICTLY PROHIBITED WITHOUT WRITTEN PERMISSION.

PROPRIETARY

Sensors, Buttons, Leds & SPI

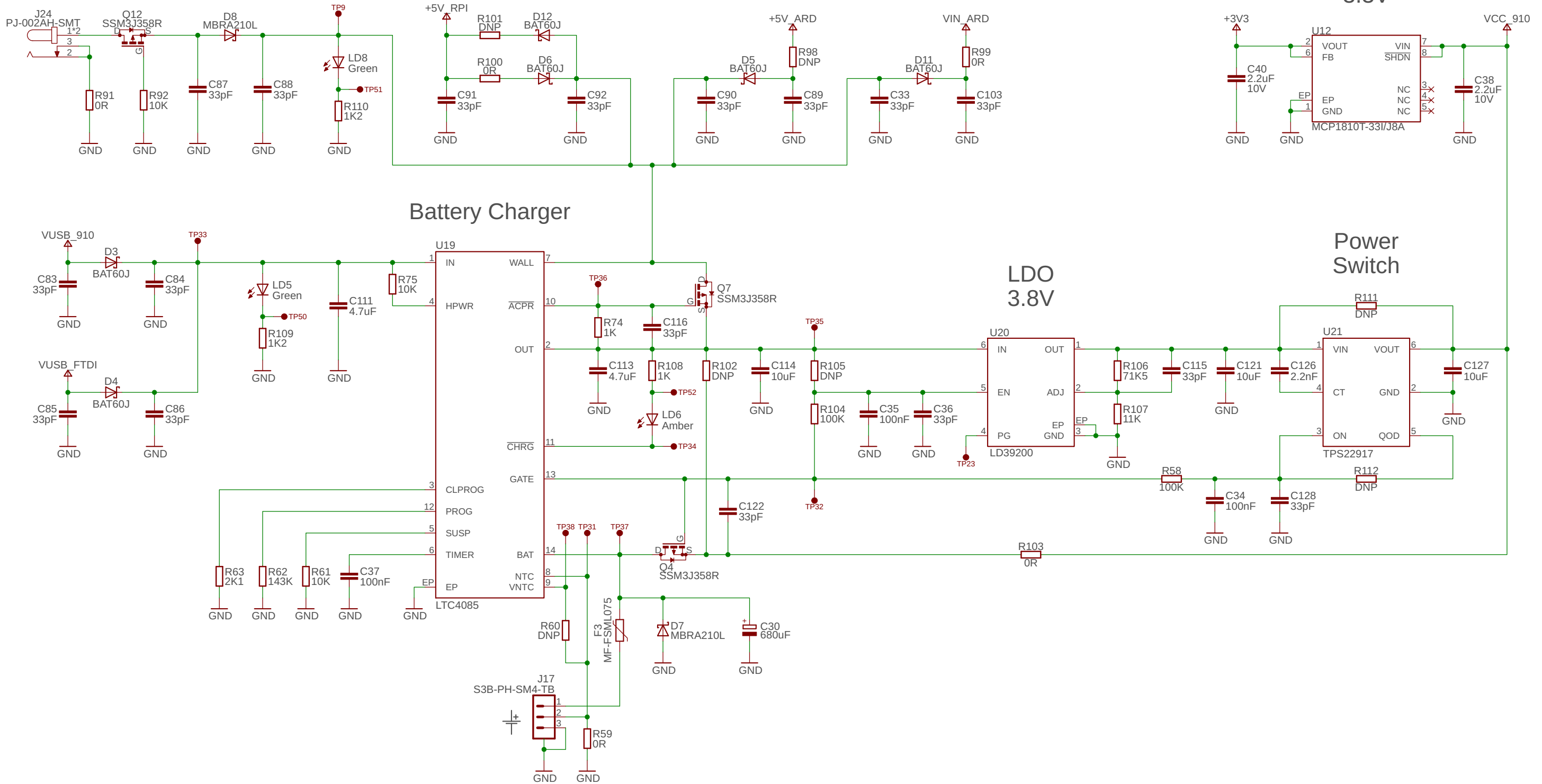


ISSUE	THIS DRAWING CONTAINS PROPRIETARY INFORMATION AND SHOULD NOT BE USED WITHOUT WRITTEN PERMISSION.		© 2020
DRAWN	TITLE Telit Board "Bravo"		REV D.0
CHECKED	DATE 03.05.20 19:44	DRG N° 191019-CP	
DATE 03 May 2020	FILE: 191019_Telit_Bravo_DO	PAGE: 6/10	

THE INFORMATION CONTAINED IN THIS DRAWING IS THE SOLE PROPERTY OF THE AUTHOR.
ANY REPRODUCTION IN PART OR WHOLE IS STRICTLY PROHIBITED WITHOUT WRITTEN PERMISSION.

PROPRIETARY

Battery charger & LDOs



Use Li-Ion battery Vnom = 3.7V, Vchrg = 4.2V Capacity >= 700 mAh

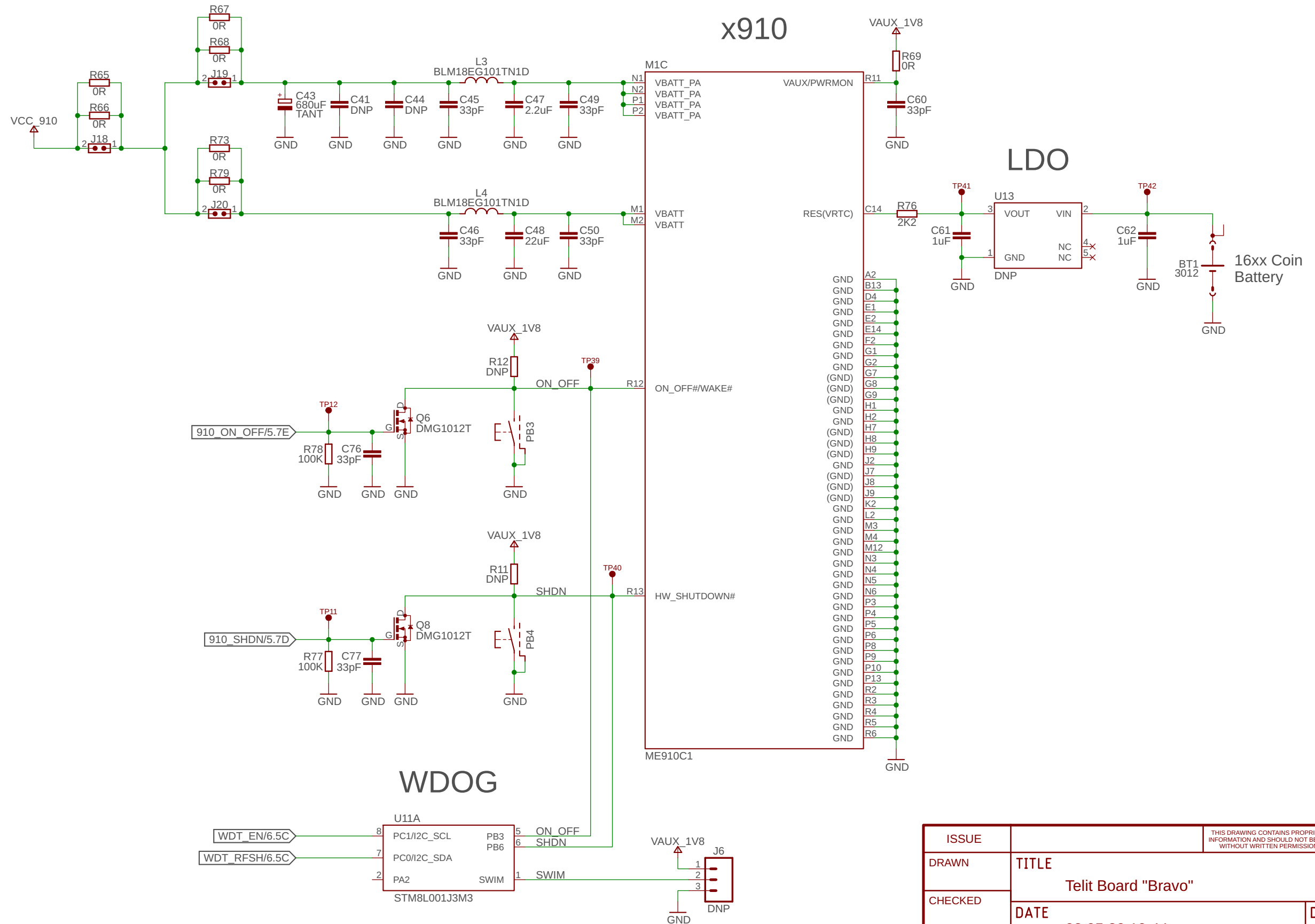
Li-Po batteries are charged at 4.2V with a current that is usually half of the nominal capacity (C/2). This board has a specialized chip that has a preset charging current of 350mAh. This means that the MINIMUM capacity of the Li-Po battery shall be 700 mAh. Smaller cells will be damaged by this current and may overheat, develop internal gasses and explode, setting on fire the surroundings. We strongly recommend that you select a Li-Po battery of at least 700mAh capacity. A bigger cell will take more time to charge, but won't be harmed or overheated.

ISSUE	THIS DRAWING CONTAINS PROPRIETARY INFORMATION AND SHOULD NOT BE USED WITHOUT WRITTEN PERMISSION.		© 2020
DRAWN	TITLE Telit Board "Bravo"		REV D.0
CHECKED	DATE 03.05.20 19:44	DRG N° 191019-CP	
DATE 03 May 2020	FILE: 191019_Telit_Bravo_DO	PAGE: 7/10	

THE INFORMATION CONTAINED IN THIS DRAWING IS THE SOLE PROPERTY OF THE AUTHOR.
 ANY REPRODUCTION IN PART OR WHOLE IS STRICTLY PROHIBITED WITHOUT WRITTEN PERMISSION.

PROPRIETARY

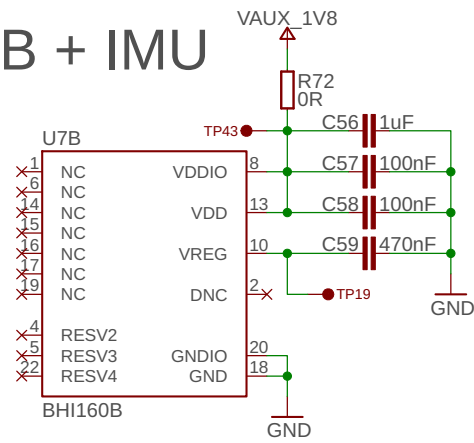
x910 Power, WDT & RTC



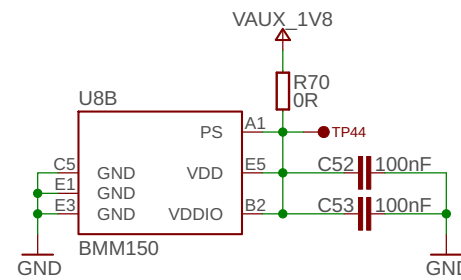
ISSUE	THIS DRAWING CONTAINS PROPRIETARY INFORMATION AND SHOULD NOT BE USED WITHOUT WRITTEN PERMISSION.		© 2020
DRAWN	TITLE Telit Board "Bravo"		REV D.0
CHECKED	DATE 03.05.20 19:44	DRG N° 191019-CP	
DATE 03 May 2020	FILE: 191019_Telit_Bravo_DO	PAGE: 8/10	

Decoupling caps

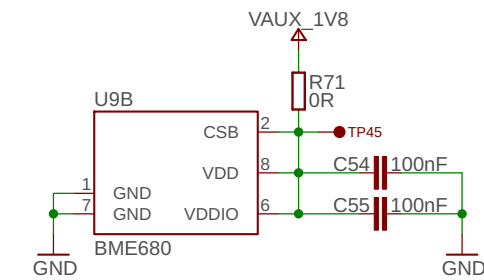
HUB + IMU



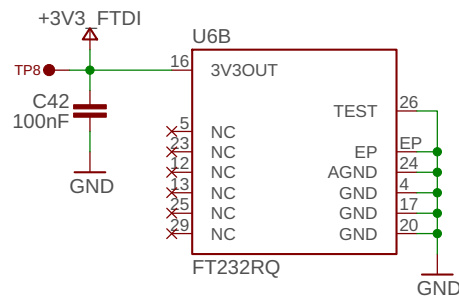
Magnetometer



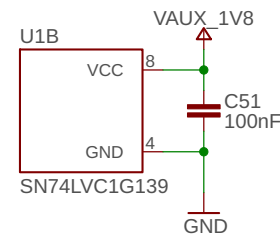
Temp, Hum, Press & VOC



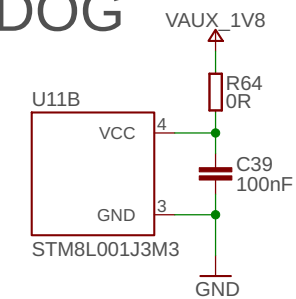
FTDI



2-to-4



WDOG



- FD1
- FD2
- FD3

ISSUE	THIS DRAWING CONTAINS PROPRIETARY INFORMATION AND SHOULD NOT BE USED WITHOUT WRITTEN PERMISSION.		© 2020
DRAWN	TITLE Telit Board "Bravo"		REV D.0
CHECKED	DATE 03.05.20 19:44	DRG N° 191019-CP	
DATE 03 May 2020	FILE: 191019_Telit_Bravo_DO	PAGE: 9/10	

THE INFORMATION CONTAINED IN THIS DRAWING IS THE SOLE PROPERTY OF THE AUTHOR.
ANY REPRODUCTION IN PART OR WHOLE IS STRICTLY PROHIBITED WITHOUT WRITTEN PERMISSION.

PROPRIETARY

REVISION HISTORY

REV-A.0 (19 Oct 2019)

- 1) First release

REV-B.0 (18 Jan 2020)

- 1) Redesigned Power Supply and Battery Charger
- 2) Redesigned Watchdog
- 3) R81: DNP --> 0R
- 4) Fixed wrong Arduino UART connection
- 5) Replaced chip antenna with PCB antenna

REV-C.0 (12 Feb 2020)

- 1) C41,C44,C63,C71: 220uF 1206 --> 330uF 1210
- 2) Added TP[20..52]

REV-D.0 (03 May 2020)

- 1) R39,R40,R41: 330R --> 470R
- 2) R109,R110: 1K --> 1K2
- 3) C43: 100uF --> 680uF
- 4) C41,C44: 330uF --> DNP
- 5) Removed C63,C71 ,C117,C118,C119,C120
- 6) Added C30

ISSUE	THIS DRAWING CONTAINS PROPRIETARY INFORMATION AND SHOULD NOT BE USED WITHOUT WRITTEN PERMISSION.		© 2020
DRAWN	TITLE Telit Board "Bravo"		REV D.0
CHECKED	DATE 03.05.20 19:44	DRG N° 191019-CP	
DATE 03 May 2020	FILE: 191019_Telit_Bravo_DO	PAGE: 10/10	