



xL865 Global Form Factor Application Note

80000NT11207A Rev. 7– 2020-07-12

TELIT
TECHNICAL
DOCUMENTATION

SPECIFICATIONS ARE SUBJECT TO CHANGE WITHOUT NOTICE

NOTICE

While reasonable efforts have been made to assure the accuracy of this document, Telit assumes no liability resulting from any inaccuracies or omissions in this document, or from use of the information obtained herein. The information in this document has been carefully checked and is believed to be reliable. However, no responsibility is assumed for inaccuracies or omissions. Telit reserves the right to make changes to any products described herein and reserves the right to revise this document and to make changes from time to time in content hereof with no obligation to notify any person of revisions or changes. Telit does not assume any liability arising out of the application or use of any product, software, or circuit described herein; neither does it convey license under its patent rights or the rights of others.

It is possible that this publication may contain references to, or information about Telit products (machines and programs), programming, or services that are not announced in your country. Such references or information must not be construed to mean that Telit intends to announce such Telit products, programming, or services in your country.

COPYRIGHTS

This instruction manual and the Telit products described in this instruction manual may be, include or describe copyrighted Telit material, such as computer programs stored in semiconductor memories or other media. Laws in the Italy and other countries preserve for Telit and its licensors certain exclusive rights for copyrighted material, including the exclusive right to copy, reproduce in any form, distribute and make derivative works of the copyrighted material. Accordingly, any copyrighted material of Telit and its licensors contained herein or in the Telit products described in this instruction manual may not be copied, reproduced, distributed, merged or modified in any manner without the express written permission of Telit. Furthermore, the purchase of Telit products shall not be deemed to grant either directly or by implication, estoppel, or otherwise, any license under the copyrights, patents or patent applications of Telit, as arises by operation of law in the sale of a product.

COMPUTER SOFTWARE COPYRIGHTS

The Telit and 3rd Party supplied Software (SW) products described in this instruction manual may include copyrighted Telit and other 3rd Party supplied computer programs stored in semiconductor memories or other media. Laws in the Italy and other countries preserve for Telit and other 3rd Party supplied SW certain exclusive rights for copyrighted computer programs, including the exclusive right to copy or reproduce in any form the copyrighted computer program. Accordingly, any copyrighted Telit or other 3rd Party supplied SW computer programs contained in the Telit products described in this instruction manual may not be copied (reverse engineered) or reproduced in any manner without the express written permission of Telit or the 3rd Party SW supplier. Furthermore, the purchase of Telit products shall not be deemed to grant either directly or by implication, estoppel, or otherwise, any license under the copyrights, patents or patent applications of Telit or other 3rd Party supplied SW, except for the normal non-exclusive, royalty free license to use that arises by operation of law in the sale of a product.

USAGE AND DISCLOSURE RESTRICTIONS

I. License Agreements

The software described in this document is the property of Telit and its licensors. It is furnished by express license agreement only and may be used only in accordance with the terms of such an agreement.

II. Copyrighted Materials

Software and documentation are copyrighted materials. Making unauthorized copies is prohibited by law. No part of the software or documentation may be reproduced, transmitted, transcribed, stored in a retrieval system, or translated into any language or computer language, in any form or by any means, without prior written permission of Telit

III. High Risk Materials

Components, units, or third-party products used in the product described herein are NOT fault-tolerant and are NOT designed, manufactured, or intended for use as on-line control equipment in the following hazardous environments requiring fail-safe controls: the operation of Nuclear Facilities, Aircraft Navigation or Aircraft Communication Systems, Air Traffic Control, Life Support, or Weapons Systems (High Risk Activities"). Telit and its supplier(s) specifically disclaim any expressed or implied warranty of fitness for such High Risk Activities.

IV. Trademarks

TELIT and the Stylized T Logo are registered in Trademark Office. All other product or service names are the property of their respective owners.

V. Third Party Rights

The software may include Third Party Right software. In this case you agree to comply with all terms and conditions imposed on you in respect of such separate software. In addition to Third Party Terms, the disclaimer of warranty and limitation of liability provisions in this License shall apply to the Third Party Right software.

TELIT HEREBY DISCLAIMS ANY AND ALL WARRANTIES EXPRESS OR IMPLIED FROM ANY THIRD PARTIES REGARDING ANY SEPARATE FILES, ANY THIRD PARTY MATERIALS INCLUDED IN THE SOFTWARE, ANY THIRD PARTY MATERIALS FROM WHICH THE SOFTWARE IS DERIVED (COLLECTIVELY "OTHER CODE"), AND THE USE OF ANY OR ALL THE OTHER CODE IN CONNECTION WITH THE SOFTWARE, INCLUDING (WITHOUT LIMITATION) ANY WARRANTIES OF SATISFACTORY QUALITY OR FITNESS FOR A PARTICULAR PURPOSE.

NO THIRD PARTY LICENSORS OF OTHER CODE SHALL HAVE ANY LIABILITY FOR ANY DIRECT, INDIRECT, INCIDENTAL, SPECIAL, EXEMPLARY, OR CONSEQUENTIAL DAMAGES (INCLUDING WITHOUT LIMITATION LOST PROFITS), HOWEVER CAUSED AND WHETHER MADE UNDER CONTRACT, TORT OR OTHER LEGAL THEORY, ARISING IN ANY WAY OUT OF THE USE OR DISTRIBUTION OF THE OTHER CODE OR THE EXERCISE OF ANY RIGHTS GRANTED UNDER EITHER OR BOTH THIS LICENSE AND THE LEGAL TERMS APPLICABLE TO ANY SEPARATE FILES, EVEN IF ADVISED OF THE POSSIBILITY OF SUCH DAMAGES.

APPLICABILITY TABLE

PRODUCTS

- ■ GL865-DUAL V3
- ■ GL865-QUAD V3
- ■ GL865-DUAL V3.1
- ■ GL865-QUAD V3.1
- ■ GL865-QUAD V4
- ■ UL865-EUR
- ■ UL865-EUD
- ■ UL865-NAR
- ■ UL865-NAD
- ■ CL865-DUAL
- ■ ML865C1
- ■ NL865H2-W1
- ■ ML865G1-WW

CONTENTS

NOTICE	2
COPYRIGHTS	2
COMPUTER SOFTWARE COPYRIGHTS	2
USAGE AND DISCLOSURE RESTRICTIONS	3
APPLICABILITY TABLE	6
CONTENTS	7
1. INTRODUCTION	8
2. OVERVIEW	11
3. MECHANICAL DIMENSIONS	12
4. MODULE COMMON PINOUT	13
4.1. PIN-OUT differences UL865, GL865-V3, CL865	19
5. LEGACY VS NEW XL865 FORM FACTOR	22
6. LOGIC LEVEL SPECIFICATION	23
7. USB PORT	25
8. SPI PORT	27
9. SIM CONNECTION	29
10. FREQUENCY BANDS	30
11. POWER SUPPLY	31
12. DOCUMENT HISTORY	32
MECHANICAL DIMENSIONS	32

1. INTRODUCTION

The information presented in this document is believed to be accurate and reliable. However, no responsibility is assumed by Telit Communications S.p.A. for its use, nor any infringement of patents or other rights of third parties which may result from its use. No license is granted by implication or otherwise under any patent rights of Telit Communications S.p.A. other than for circuitry embodied in Telit products. This document is subject to change without notice.

1.1. Scope

Scope of this document is the description of some hardware solutions useful for developing an application compatible with the products of the xL865 family in order to highlight the minor differences between the above mentioned products.

1.2. Contact Information, Support

For general contact, technical support services, technical questions and report documentation errors contact Telit Technical Support at:

- TS-EMEA@telit.com
- TS-AMERICAS@telit.com
- TS-APAC@telit.com

Alternatively, use:

<http://www.telit.com/support>

For detailed information about where you can buy the Telit modules or for recommendations on accessories and components visit:

<http://www.telit.com>

Our aim is to make this guide as helpful as possible. Keep us informed of your comments and suggestions for improvements.

Telit appreciates feedback from the users of our information.

1.3. Text Conventions



Danger – This information **MUST** be followed or catastrophic equipment failure or bodily injury may occur.



Caution or Warning – Alerts the user to important points about integrating the module, if these points are not followed, the module and end user equipment may fail or malfunction.



Tip or Information – Provides advice and suggestions that may be useful when integrating the module.

All dates are in ISO 8601 format, i.e. YYYY-MM-DD.

1.4. Related Documents

The following is a list of applicable documents downloadable from the Download Zone section of Telit's website <http://www.telit.com>

- UL865 Hardware User Guide 1VV0301050
- GL865 V3/V3.1 Hardware User Guide 1VV0301018
- CL865-DUAL Hardware User Guide 1VV0301104
- GL865-QUAD V4 HW User Guide 1VV0301518
- ML865C1 Hardware User Guide 1VV0301493
- NL865H2 Hardware User Guide 1VV0301616
- NL865H2 Hardware User Guide 1VV0301616
- ML865G1 Hardware User Guide 1VV0301632

2. OVERVIEW

In this document all the basic functions of a mobile phone will be taken into account; for each one of them a proper hardware solution will be suggested and eventually the wrong solutions and common errors to be avoided will be evidenced. Obviously, this document cannot embrace the whole hardware solutions and products that may be designed. The wrong solutions to be avoided shall be considered as mandatory, while the suggested hardware configurations shall not be considered mandatory, instead the information given shall be used as a guide and a starting point for properly developing your product with the described modules. For further hardware details that may not be explained in this document refer to the Telit Product Description documents where all the hardware information is reported.



The integration of the GL865 V3/UL865/CL865/ML865C1/GL865 V4/NL865H2 and ML865G1 cellular module within user application shall be done according to the design rules described in this manual.

The Unified Form Factor (UFF) is a concept of a products family characterized by the same mechanical and electrical form factor with different radio access technology.

This new approach protects customer's investment by giving you the possibility to migrate with the simple plug-and-play switch of your module with other wireless modules in the Unified Form Factor range without changing your application. In this way Telit offers easy access to different cellular technologies, certifications or bandwidth. For example if you develop applications based on today's mobile operator GSM/GPRS cellular technology if required it might be upgraded in the future to higher data speed capability such as UMTS/HSDPA.

The main advantages are summarized below:

- Increase of the efficiency in the use of the investments assigned to the development of the application (NRE), resulting in higher ROI, thus justifying the business choice of the UFF products;
- Products that are designed to bring technology enhancements to the integrators, such as higher data rates and new wireless standards while maintaining backwards compatibility in form factor and logical interfaces;
- Ease of integration;
- Telit as a single supplier of wireless modems;
- The customer can focus on its core business and application, not the management of operations and procurement required for wireless modems;
- One single application for different markets.

3. MECHANICAL DIMENSIONS

The Telit xE865 family overall dimensions are:

MODULE	LENGTH [MM]	WIDTH [MM]	THICKNESS [MM]
GL865 V3	24.4	24.4	2.6
GL865 V3.1	24.4	24.4	2.6
GL865 V4	24.4	24.4	2.6
UL865	24.4	24.4	2.6
CL865	24.4	24.4	2.45
ML865C1	24.4	24.4	2.6
NL865H2	24.4	24.4	2.25
ML865G1-WW	24	24	2.6

In a common design application, which is going to use multiple models, we recommend to consider the highest dimensions as reference.



Note:

The 3D drawings/models versions are available separately, and they are provided in IGES format. Please contact the Telit Technical Support to get the models.

4. MODULE COMMON PINOUT

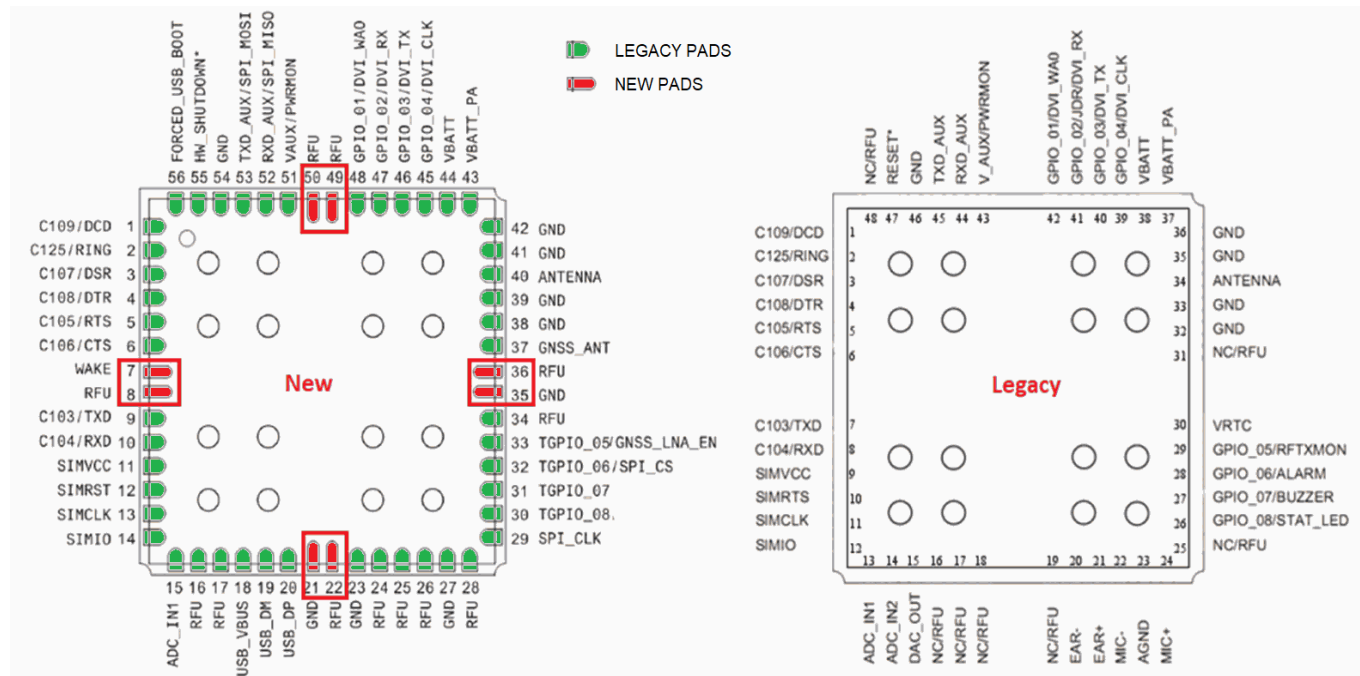
The new GL865-QUAD V4,ML865C1 NL865H2 and ML865G1 have 8 additional pads with respect to the other “legacy” products in the xL865 family, as a consequence the pin numbering changed.

Due to the fact that the pin numbering has changed, please refer to the physical pads and not only to the numbering.

“L” refer to = GL865-QUADV3,UL865,CL865 legacy products

“N” refer to =GL865-QUAD V4,ML865C1,NL865H2,ML865G1

Red rectangular indicates the pin added for the ML865C1,NL865H2, ML865G1 and GL865-V4 FF.



Pin "L"	Pin "N"	Signal	I/O	Function	Type	Comment
Power Supply						
38	44	VBATT	-	Main power supply (Baseband)	Power	*
37	43	VBATT_PA	-	Main power supply (Radio PA)	Power	*
23	27	GND	-	Ground	Power	
32	38	GND	-	Ground	Power	
33	39	GND	-	Ground	Power	
35	41	GND	-	Ground	Power	
36	42	GND	-	Ground	Power	
46	54	GND	-	Ground	Power	
SIM CARD Interface						
9	11	SIMVCC	-	External SIM signal – Power supply for the SIM	1.8 / 3V	

10	12	SIMRST	O	External SIM signal – Reset	1.8 / 3V
11	13	SIMCLK	O	External SIM signal – Clock	1.8 / 3V
12	14	SIMIO	I/O	External SIM signal - Data I/O	1.8 / 3V
Trace					
44	52	RXD_AUX	I	RX Data for debug monitor	CMOS 1.8V *
45	53	TXD_AUX	O	TX Data for debug monitor	CMOS 1.8V *
Prog. / Data + Hw Flow Control					
1	1	C109/DCD	O	Output for Data carrier detect signal (DCD) to DTE	CMOS 1.8V *
2	2	C125/RING	O	Output for Ring indicator signal (RI) to DTE	CMOS 1.8V *
3	3	C107/DSR	O	Output for Data set ready signal (DSR) to DTE	CMOS 1.8V *
4	4	C108/DTR	I	Input for Data terminal ready signal (DTR) from DTE	CMOS 1.8V *
5	5	C105/RTS	I	Input for Request to send signal (RTS) from DTE	CMOS 1.8V *

6	6	C106/CTS	O	Output for Clear to send signal (CTS) to DTE	CMOS 1.8V	*
7	9	C103/TXD	I	Serial data input (TXD) from DTE	CMOS 1.8V	*
8	10	C104/RXD	O	Serial data output to DTE	CMOS 1.8V	*
Miscellaneous Functions						
43	51	VAUX/PWR MON	O	Supply Output for external accessories	CMOS1.8V	*
47	55	RESET*	I	HW unconditional shutdown (Active Low)	Open collector	*
30	34	VRTC 1)	AO	VRTC Backup capacitor	Power	*
Telit GPIOs						
42	48	GPIO_01 / DVI_WA0	I/O	Telit GPIO_01 Configurable GPIO/ Digital Audio Interface (WA0)	CMOS 1.8V	*
41	47	GPIO_02 / JDR / DVI_RX	I/O	Telit GPIO_02 Configurable GPIO// Jammer Detect Report / Digital Audio Interface (RX)	CMOS 1.8V	*
40	46	GPIO_03 / DVI_TX	I/O	Telit GPIO_03 Configurable GPIO/ Digital Audio Interface (TX)	CMOS 1.8V	*

39	45	GPIO_04/ TX Disable / DVI_CLK	I/O	Telit GPIO_04 Configurable GPIO/ TX Disable input / Digital Audio Interface (CLK)	CMOS 1.8V *
29	33	GPIO_05 / RFTXMON	I/O	Telit GPIO_05 Configurable GPIO/ Transmitter ON monitor	CMOS 1.8V *
28	32	GPIO_06 / ALARM	I/O	Telit GPIO_06 Configurable GPIO/ ALARM	CMOS 1.8V *
27	31	GPIO_07 / BUZZER	I/O	Telit GPIO_07 Configurable GPIO/ Buzzer	CMOS 1.8V *
26	30	GPIO_08/ STAT_LED	I/O	Telit GPIO_08 Configurable GPIO/ Status Led	CMOS 1.8V *
RF SECTION					
34	40	ANTENNA	I/O	GSM/EDGE/UMTS Antenna (50 ohm)	RF
RESERVED					
19, 31, 48					

**Danger (*):**

NL865H2 module the nominal output for the power supply is 3.3V and the maximum voltage allowed is 3.63V
Over the absolute maximum voltage for the NL865H2 and damage the module.

It is necessary that the customer foresees a DC at 3.3V to 3.6V in case a common design with this module is required.

**Warning(*):**

GL865-QUAD V4 digital pins are not CMOS 1.8V but CMOS 2.8V.

In order to design a board compatible with the other xL865 products , a level shifter should be considered.

**Warning:**

RESERVED pins reported above must not be connected.

Unlike other Telit's products the RTC feature of CL865 ,NL865H2 cannot be operated with VRTC only and the external RTC backup capacitor will be also useless.. VBATT must be connected to support RTC feature for CL865 NL865H2



The internal GPIO's pull up/pull down could be set to the preferred status for the application using the AT#GPIO command.

Please refer for the AT Commands User Guide for the detailed command Syntax..

Pin	Module	Signal	I/O	Function
16	UL865	USB_VBUS	AI	Power sense for the internal USB transceiver.
16	GL865 V3	RESERVED	-	-
16	CL865	USB_VBUS	AI	Power for the internal USB transceiver.
17	UL865	USB_D-	I/O	USB differential Data (-)
17	GL865 V3	RESERVED	-	-
17	CL865	USB_D-	I/O	USB differential Data (-)
18	UL865	USB_D+	I/O	USB differential Data (+)
18	GL865 V3	RESERVED	-	-
18	CL865	USB_D+	I/O	USB differential Data (+)
20	UL865	RESERVED	-	-
20	GL865 V3	EAR-	AO	Earphone signal output, phase -
20	CL865	EAR-	AO	Earphone signal output, phase -
21	UL865	RESERVED	-	-
21	GL865	EAR+	AO	Earphone signal output, phase +

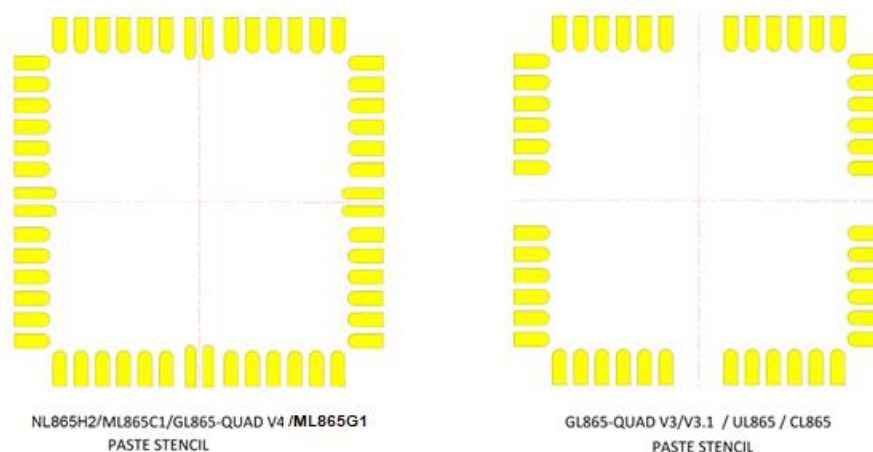
Module	Signal	I/O	Function
CL865	EAR+	AO	Earphone signal output, phase +
UL865	RESERVED	-	-
GL865	Mic-	AI	Mic. signal input; phase-
CL865	Mic-	AI	Mic. signal input; phase-
CL865	EAR+	AO	Earphone signal output, phase +
UL865	RESERVED	-	-
GL865	Mic+	AI	Mic. signal input; phase+
CL865	Mic+	AI	Mic. signal input; phase+
UL865	SPI_CLK	I/O	SPI_CLK
GL865	RESERVED	-	-
CL865	RESERVED	-	-

Module	Signal	I/O	Function
CL865	EAR+	AO	Earphone signal output, phase +
UL865	RESERVED	-	-
GL865	Mic-	AI	Mic. signal input; phase-
CL865	Mic-	AI	Mic. signal input; phase-
CL865	EAR+	AO	Earphone signal output, phase +
UL865	RESERVED	-	-
GL865	Mic+	AI	Mic. signal input; phase+
CL865	Mic+	AI	Mic. signal input; phase+
UL865	SPI_CLK	I/O	SPI_CLK
GL865	RESERVED	-	-
CL865	RESERVED	-	-

5. LEGACY VS NEW XL865 FORM FACTOR

In order to host in the same PCB the legacy GL865-QUAD V3/UL865/CL865 and the new ML865C1/GL865-QUAD V4/ ML865G1 and NL865H2 pinout and form factor should be used.

Two different solder paste stencils are required in order to remove the solder paste from the pins 7,8,50,49,36,35,21,22 in the products where they are not present as shown in the following picture.



Warning:



On the WAKE UP pin a zero ohm series resistor should be placed , between the AP and the module. The resistor shall be mounted for the ML865C1 and not populated for the other products.

Warning:



GL865-QUAD V4 digital pins are not CMOS 1.8V but CMOS 2.8V. In order to design a board compatible with the other xL865 products , a level shifter should be considered.

Warning:



Auto ON feature is not supported on the ML865G1, and ON_OFF pin is on pin 7 (same as PSM wake up pin).

6. LOGIC LEVEL SPECIFICATION

The following tables show the logic level specifications for GL865 V3, UL865 and CL865:

Absolute Maximum Ratings -Not Functional

Parameter	GL865 V3		UL865		CL865	
	Min	Max	Min	Max	Min	Max
Input level on any digital pin (CMOS 1.8) with respect to ground	-0.3V	2.1V	-0.3V	2.3V	-0.3V	2.3V

Parameter	GL865-QUAD V4 (CMOS 2.8)		ML865C1/ NL865H2/ML865G1 (CMOS 1.8)	
	Min	Max	Min	Max
Input level on any digital pin (CMOS 1.8) with respect to ground	-	-	-0.3V	2.0V
Input level on any digital pin (CMOS 2.8) with respect to ground	-0.3V	+3.1V	-	-

Operating Range - Interface levels (1.8V CMOS)

Parameter	GL865 V3 (1.8V CMOS)		UL865 (1.8V CMOS)		CL865 (1.8V CMOS)	
	Min	Max	Min	Max	Min	Max
Input high level	1.3V	1.9V	1.5V	1.9V	1.5V	2.1V
Input low level	0.0V	0.35V	0.0V	0.35V	0.0V	0.35V
Output high level	1.6V	1.9V	1.6V	1.9V	1.35V	1.8V
Output low level	0.0V	0.2V	0.0V	0.2V	0.0V	0.45V

	GL865-QUAD V4 (2.8V CMOS)		ML865C1/ NL865H2/ML865G1 (1.8V CMOS)	
Parameter	Min	Max	Min	Max
Input high level	2.1V	3.1V	1.5V	1.9V
Input low level	0V	0.7V	0.3V	0.35V
Output high level	2.4V	3.1V	1.6V	1.9V
Output low level	0V	0.4V	0V	0.2V

Current characteristics

	GL865 V3	UL865	CL865
Parameter	Typical	Typical	Typical
Output Current	1mA	1mA	2mA
Input Current	1 μ A	1 μ A	30 μ A

	GL865 V4	ML865C1/ NL865H2/ML865G1
Parameter	Typical	Typical
Output Current	1mA	1mA
Input Current	1mA	1 μ A

7. USB PORT

The UL865 and CL865 include an integrated universal serial bus (USB) transceiver, compliant with USB 2.0 specifications and supporting the USB Full-Speed (12Mb/s) mode. The UL865 supports also High-Speed (480Mb/s) mode. For this reason the signal traces should be routed carefully: trace lengths, number of vias and capacitive loading should be minimized and the characteristic impedance value should be as close as possible to 90 Ohms differential.

The impedance value of USB_DPLUS and USB_DMINUS signals for CL865 should be as close as possible to 100 Ohms differential.

Pins 16, 17 and 18 are internally unconnected on GL865 V3 so in a common design the USB port can be routed to the MCU in order to have the possibility to use it in case UL865 and CL865 are mounted.

If not used we suggest routing pins 16, 17 and 18 of xL865 to test points (or better to a mini USB connector not mounted).

Pin	Module	Signal	I/O	Function
16	UL865	USB_VBUS	AI	Power sense for the internal USB transceiver.
16	GL865 V3	RESERVED	-	-
16	CL865	USB_VBUS	AI	Power for the internal USB transceiver.
18	ML865C1	USB_VBUS	AI	Power for the internal USB transceiver.
18	NL865H2	USB_VBUS	AI	Power for the internal USB transceiver.
18	ML865G1	USB_VBUS	AI	Power for the internal USB transceiver.
18	GL865- QUAD V4	USB_VBUS	AI	Power for the internal USB transceiver.
17	UL865	USB_D-	I/O	USB differential Data (-)
17	GL865 V3	RESERVED	-	-
17	CL865	USB_D-	I/O	USB differential Data (-)
19	ML865C1	USB_D-	I/O	USB differential Data (-)
19	NL865H2	USB_D-	I/O	USB differential Data (-)
19	ML865G1	USB_D-	I/O	USB differential Data (-)
19	GL865- QUAD V4	USB_D-	I/O	USB differential Data (-)

18	UL865	USB_D+	I/O	USB differential Data (+)
18	GL865 V3	RESERVED	-	-
18	CL865	USB_D+	I/O	USB differential Data (+)
20	ML865C1	USB_D+	I/O	USB differential Data (+)
20	NL865H2	USB_D+	I/O	USB differential Data (+)
20	ML865G1	USB_D+	I/O	USB differential Data (+)
20	GL865- QUAD V4	USB_D+	I/O	USB differential Data (+)
20	UL865	RESERVED	-	-

8. SPI PORT

The UL865 module is provided with one 3 wire slave SPI interface. The AP has the master role i.e. it supplies the clock. The following table is listing the available signals:

PAD	Model	Signal	I/O	Function	COMMENT
45	UL865	SPI_MOSI/ TX_AUX	I/O	SPI MOSI	Shared with TX_AUX
45	GL865	TX_AUX	O	Auxiliary UART (TX Data to DTE)	
45	CL865	TX_AUX	O	Auxiliary UART (TX Data to DTE)	
53	ML865C1	TXD_AUX/SP I_MOSI	O	Auxiliary UART (TX Data to DTE)	
53	NL865H2	TXD_AUX/SP I_MOSI	O	Auxiliary UART (TX Data to DTE)	
53	ML865G1	TXD_AUX/SP I_MOSI	I/O	Auxiliary UART (TX Data to DTE)	
44	UL865	SPI_MISO/R X_AUX	I/O	SPI MISO	Shared with RX_AUX
44	GL865	RX_AUX	I	Auxiliary UART (RX Data from DTE)	
44	CL865	RX_AUX	I	Auxiliary UART (RX Data from DTE)	
52	GL865-V4	SPI_MISO	I	RX_AUX/SPI_MI SO	
52	ML865C1	SPI_MISO	I	RX_AUX/SPI_MI SO	
52	NL865H2	SPI_MISO	I	RX_AUX/SPI_MI SO	
52	ML865G1	SPI_MISO	I/O	RX_AUX/SPI_MI SO	

25	UL865	SPI_CLK	I	SPI_CLK
25	GL865	RESERVED	-	-
25	CL865	RESERVED	-	RESERVED
29	ML865C1	SPI_CLK	I	GPIO_08/GNS S_LNA_EN)
29	NL865H2	RESERVED	-	RESERVED
29	ML865G1	SPI_CLK	I	SPI_CLK

**Warning:**

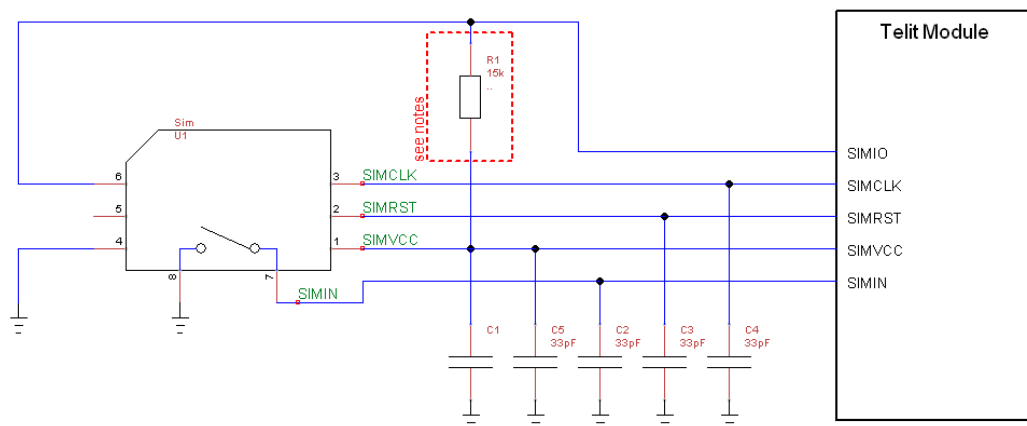
In a common design xL865 the SPI port should not be used.



Due to the shared functions, when the SPI port is used, it is not possible to use the AUX_UART port.

9. SIM CONNECTION

The figure below illustrates in particular how the application side should be designed, and what values the components should have.



The minimum value of C1 can vary depending on the module; in the table below you have the recommended values. The maximum for all modems is 1uF.

Module	C1
GL865-QUAD V3	220nF
UL865	100nF
GL865-QUAD V4	470nF
ML865C1/ NL865H2/ ML865G1	100nF to 1uF
CL865	100nF

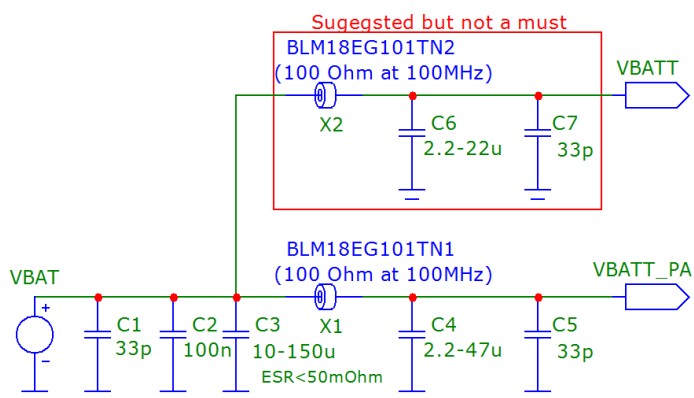
10. FREQUENCY BANDS

Module + Region Variant	LTE	NB-IoT	3G	2G	CDMA
GL865- QUAD V4	-	-	-	GSM850,900 1800,1900	
GL865- QUAD v3				GSM850,900 1800,1900	
ML865C1-NA	B2,B4,B12, B13				
ML865C1-EA	B3, B8, ,B20			GSM 850, 900 1800,1900	
NL865H2	B1, B2, B3, B4, B5, B8,B12,B13 B18, B19,B20 B25, B26, B28, B66, B71, B85				
ML865G1	B1, B2, B3, B4, B5, B8, B12, B13, B18, B19, B20, B25, B26, B27, B28, B66, B85	B1, B2, B3, B4, B5, B8, B12, B13, B18, B19, B20, B25, B26, B28, B66, B71, B85		GSM 850, 900 1800,1900	
UL865-EU			FDD B1,B8	GSM900, 1800	
UL865-NA			FDD B2, B5	GSM850, 1900	

11. POWER SUPPLY

The power supply circuitry and board layout are a very important part in the full product design and they strongly reflect on the product overall performances, hence read carefully the requirements and the guidelines that will follow for a proper design.

To improve EMI filtering an EMI suppression circuitry must be added on modem's VBATT_PA, and if possible also on VBATT. Follow schematic on figure below.



12. DOCUMENT HISTORY

Revision	Date	Changes
0	2013-10-07	Initial release
1	2014-01-08	Added CL865
2	2018-12-04	Updated template Added ML865C1 and GL865 V4
3	2019-08-27	Updated template Added NL865H2
4	2020-01-19	Updated overall document
5	2020-05-12	Updated NL865H2 Hardware User Guide Mechanical Dimensions Absolute Maximum Voltage
6	2020-06-29	Added ML865G1
7	2020-07-12	Update Auto ON feature is not supported on the ML865G1



SUPPORT INQUIRIES

Link to www.telit.com and contact our technical support team for any questions related to technical issues.

www.telit.com



Telit Communications S.p.A.
Via Stazione di Prosecco, 5/B
I-34010 Sgonico (Trieste), Italy

Telit Wireless Solutions Inc.
3131 RDU Center Drive, Suite 135
Morrisville, NC 27560, USA

Telit Wireless Solutions Ltd.
10 Habarzel St.
Tel Aviv 69710, Israel

Telit IoT Platforms LLC
5300 Broken Sound Blvd, Suite 150
Boca Raton, FL 33487, USA

Telit Wireless Solutions Co., Ltd.
8th Fl., Shinyoung Securities Bld.
6, Gukjegeumyung-ro8-gil, Yeongdeungpo-gu
Seoul, 150-884, Korea

Telit Wireless Solutions
Tecnologia e Servicos Ltda
Avenida Paulista, 1776, Room 10.C
01310-921 São Paulo, Brazil

Telit reserves all rights to this document and the information contained herein. Products, names, logos and designs described herein may in whole or in part be subject to intellectual property rights. The information contained herein is provided "as is". No warranty of any kind, either express or implied, is made in relation to the accuracy, reliability, fitness for a particular purpose or content of this document. This document may be revised by Telit at any time. For most recent documents, please visit www.telit.com

Copyright © 2016, Telit