

1

2

3

4

5

6

7

8

THE INFORMATION CONTAINED IN THIS DRAWING IS THE SOLE PROPERTY OF TELIT SPA.  
ANY REPRODUCTION IN PART OR WHOLE IS STRICTLY PROHIBITED WITHOUT WRITTEN PERMISSION.

PROPRIETARY

A

B

C

D

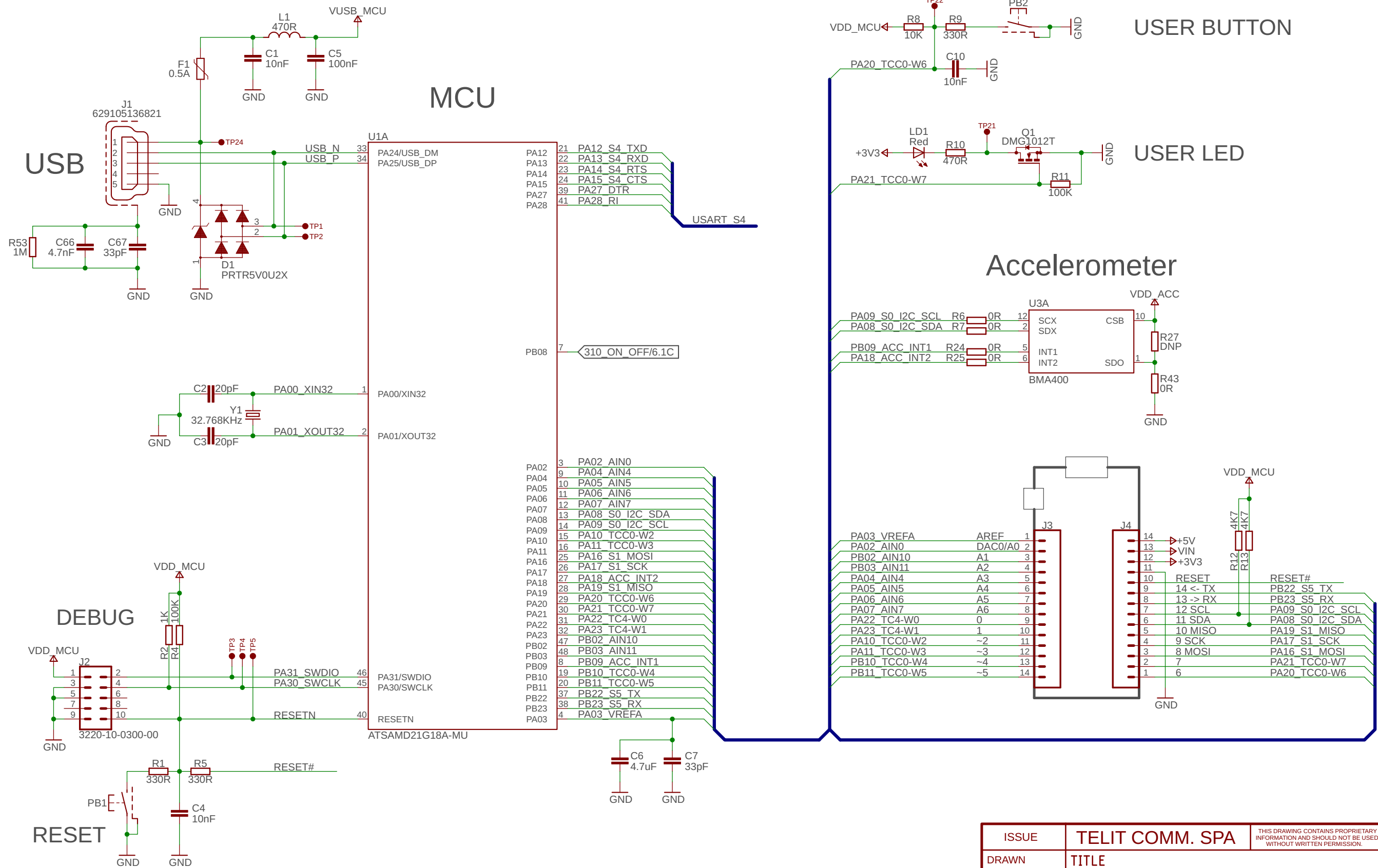
E

Telit Board "Charlie"  
21 May 2021 Rev C.1

ISSUE	TELIT COMM. SPA	THIS DRAWING CONTAINS PROPRIETARY INFORMATION AND SHOULD NOT BE USED WITHOUT WRITTEN PERMISSION.	© 2021
DRAWN C.Pino	TITLE Telit Board "Charlie"		REV C.1
CHECKED F. Deperini	DATE	DRG N° 190517-CP	
DATE 21 May 2021	FILE: 200515_Telit_Charlie_C1	PAGE: 1/6	

THE INFORMATION CONTAINED IN THIS DRAWING IS THE SOLE PROPERTY OF THE AUTHOR.  
 ANY REPRODUCTION IN PART OR WHOLE IS STRICTLY PROHIBITED WITHOUT WRITTEN PERMISSION.

PROPRIETARY

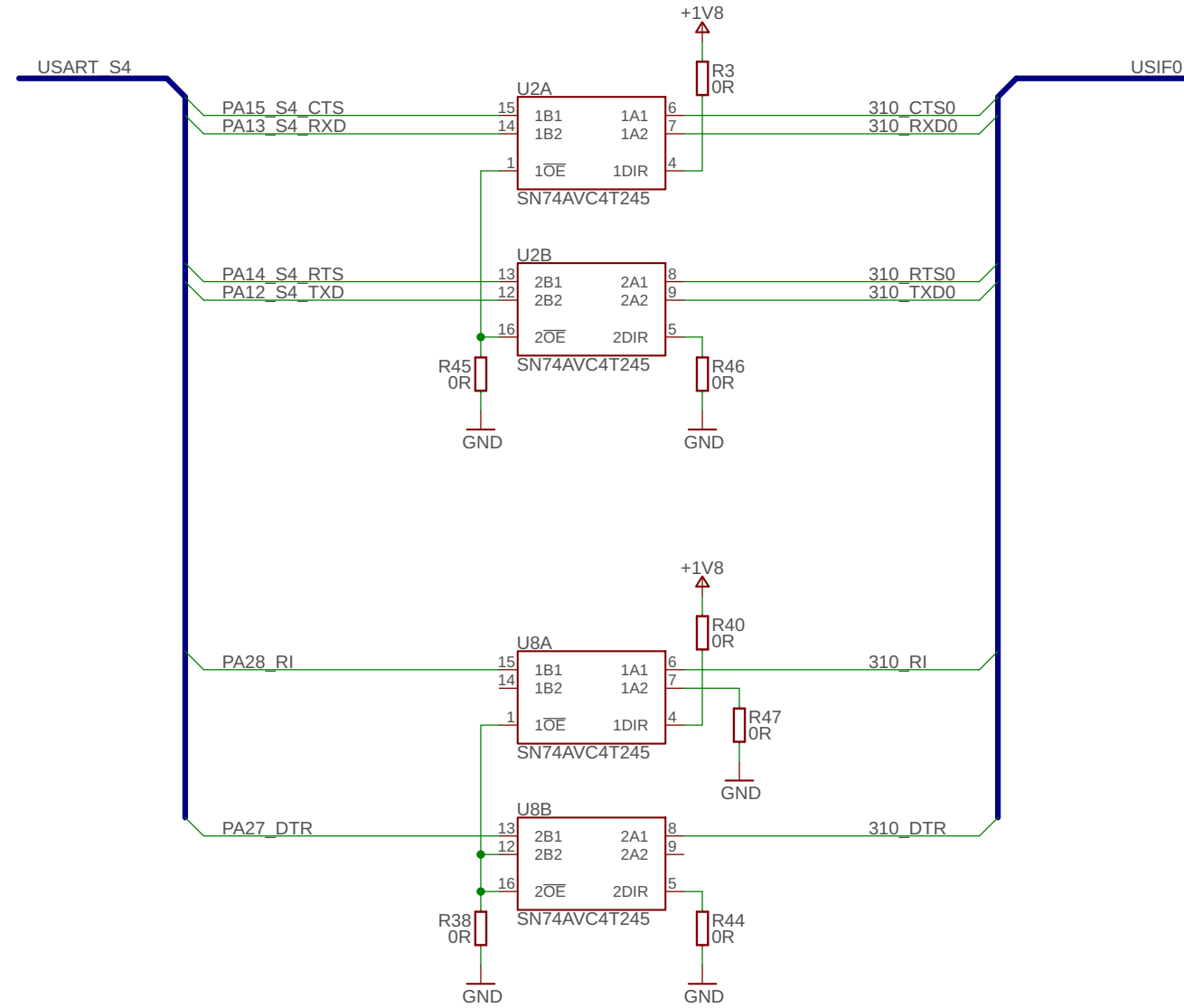


ISSUE	TELIT COMM. SPA	THIS DRAWING CONTAINS PROPRIETARY INFORMATION AND SHOULD NOT BE USED WITHOUT WRITTEN PERMISSION.	© 2021
DRAWN	TITLE		REV
C.Pino	Telit Board "Charlie"		C.1
CHECKED	DATE	DRG N°	
F. Deperini		190517-CP	
DATE	FILE: 200515_Telit_Charlie_C1	PAGE: 2/6	
21 May 2021			

THE INFORMATION CONTAINED IN THIS DRAWING IS THE SOLE PROPERTY OF THE AUTHOR.  
 ANY REPRODUCTION IN PART OR WHOLE IS STRICTLY PROHIBITED WITHOUT WRITTEN PERMISSION.

PROPRIETARY

# LEVEL SHIFTERS



ISSUE	TELIT COMM. SPA	THIS DRAWING CONTAINS PROPRIETARY INFORMATION AND SHOULD NOT BE USED WITHOUT WRITTEN PERMISSION.	© 2021
DRAWN C. Pino	TITLE Telit Board "Charlie"		REV C.1
CHECKED F. Deperini	DATE	DRG N° 190517-CP	
DATE 21 May 2021	FILE: 200515_Telit_Charlie_C1	PAGE: 3/6	

THE INFORMATION CONTAINED IN THIS DRAWING IS THE SOLE PROPERTY OF THE AUTHOR.  
 ANY REPRODUCTION IN PART OR WHOLE IS STRICTLY PROHIBITED WITHOUT WRITTEN PERMISSION.

PROPRIETARY

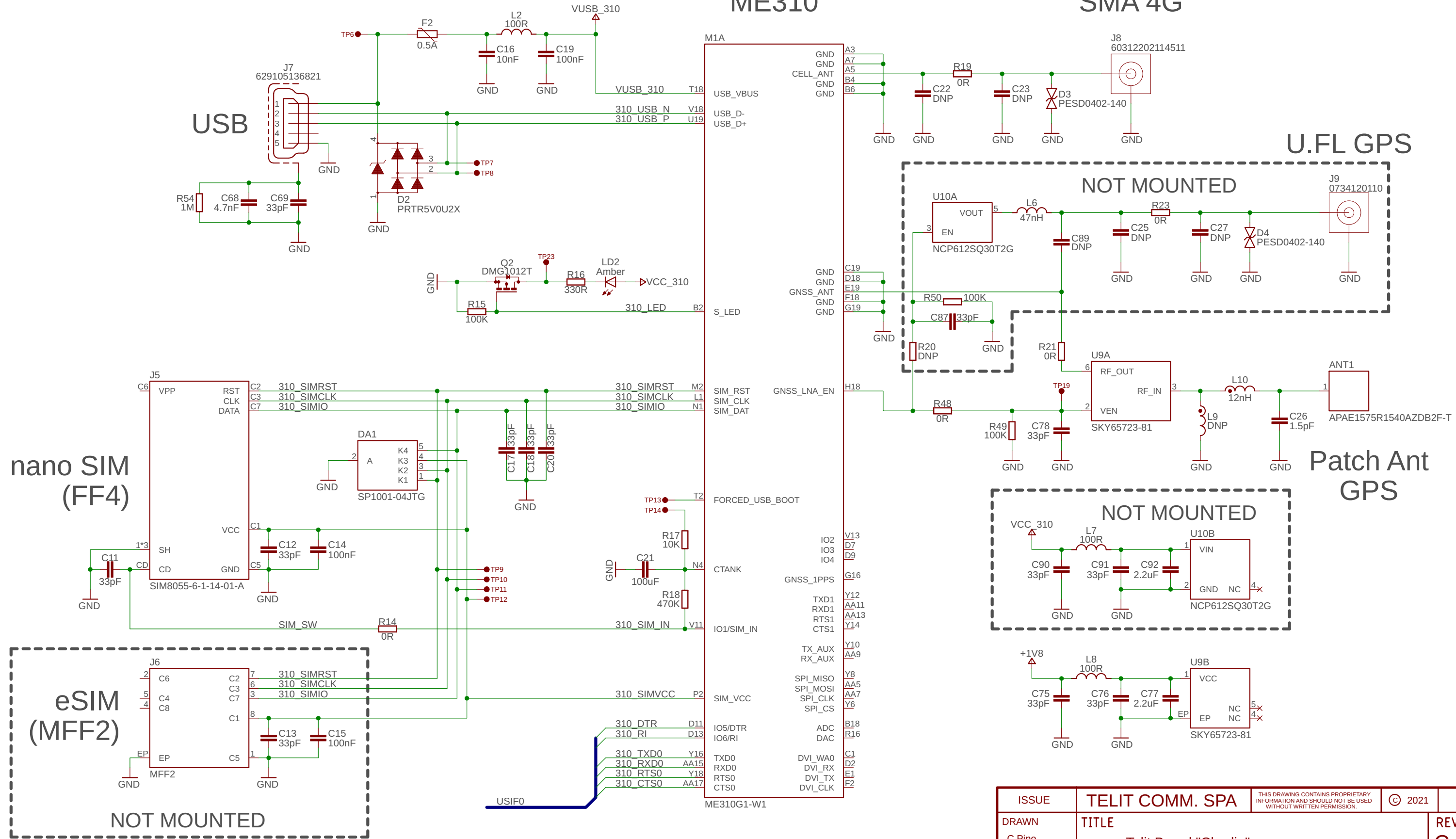
A

B

C

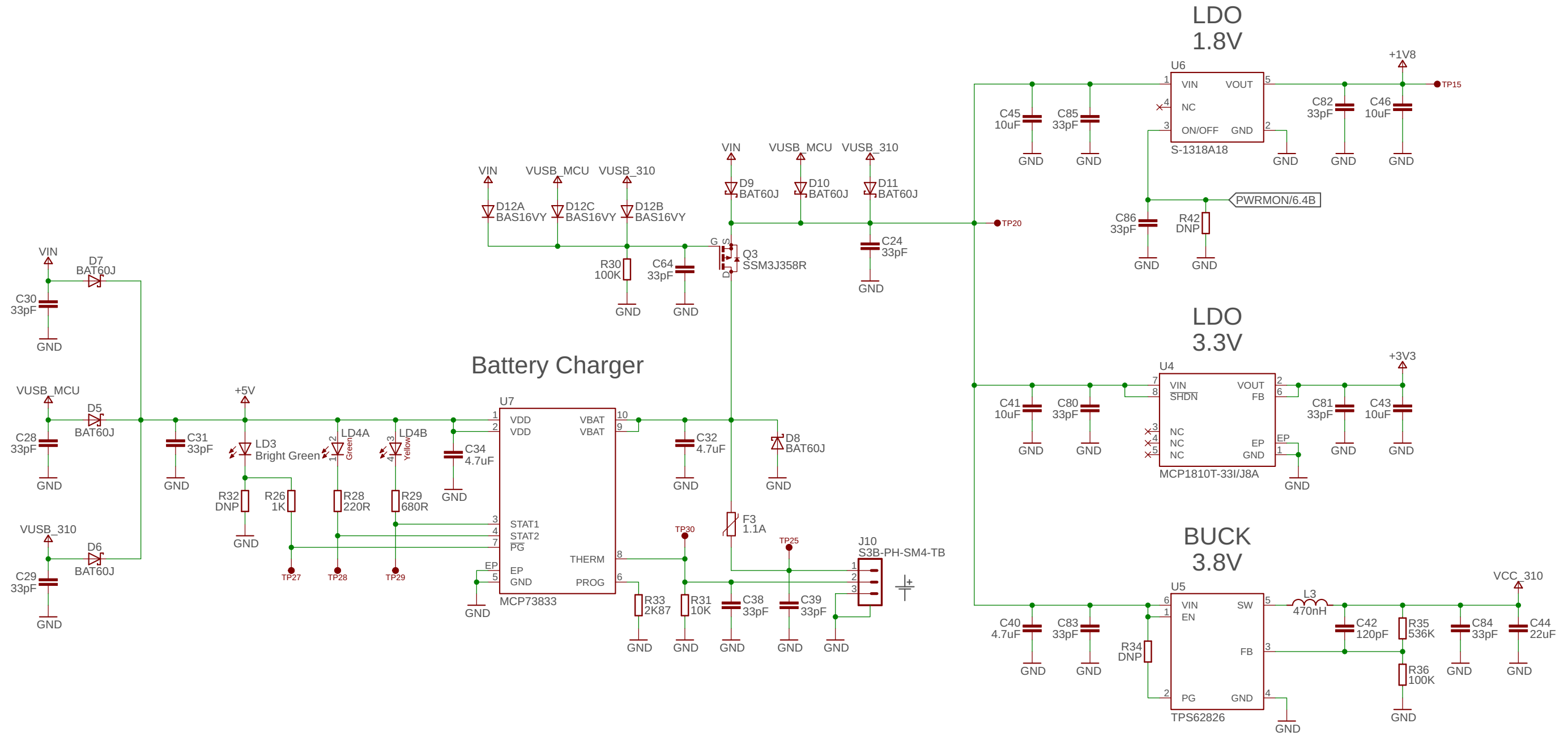
D

E



ISSUE	TELIT COMM. SPA	THIS DRAWING CONTAINS PROPRIETARY INFORMATION AND SHOULD NOT BE USED WITHOUT WRITTEN PERMISSION.	© 2021
DRAWN	TITLE		REV
C. Pino	Telit Board "Charlie"		C.1
CHECKED	DATE	DRG N°	
F. Deperini		190517-CP	
DATE	FILE: 200515_Telit_Charlie_C1	PAGE: 4/6	
21 May 2021			

# Battery charger & LDOs



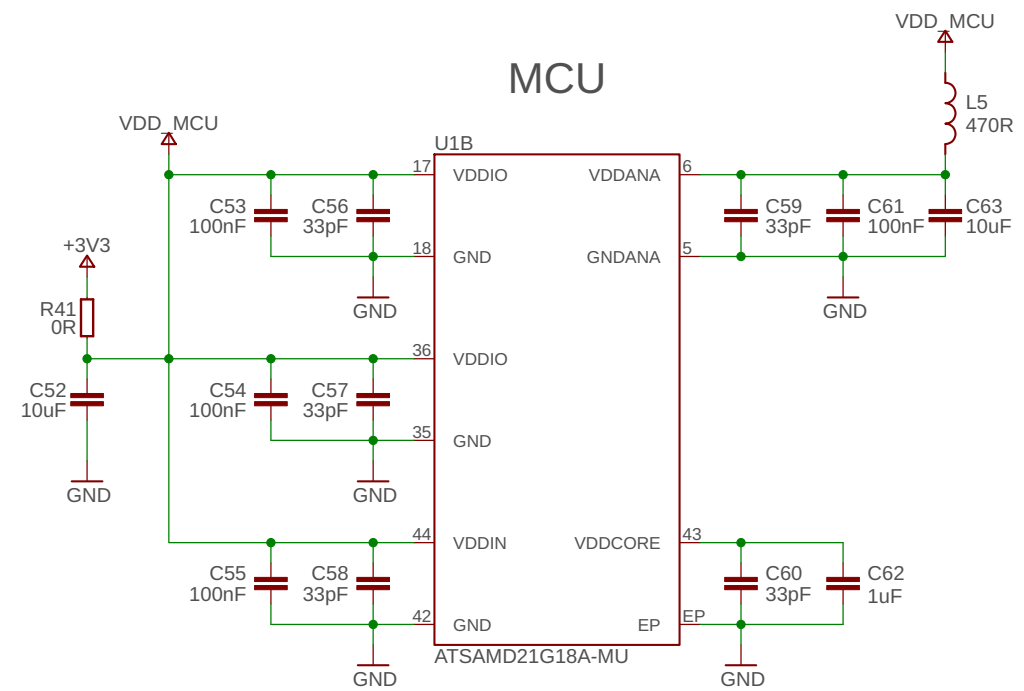
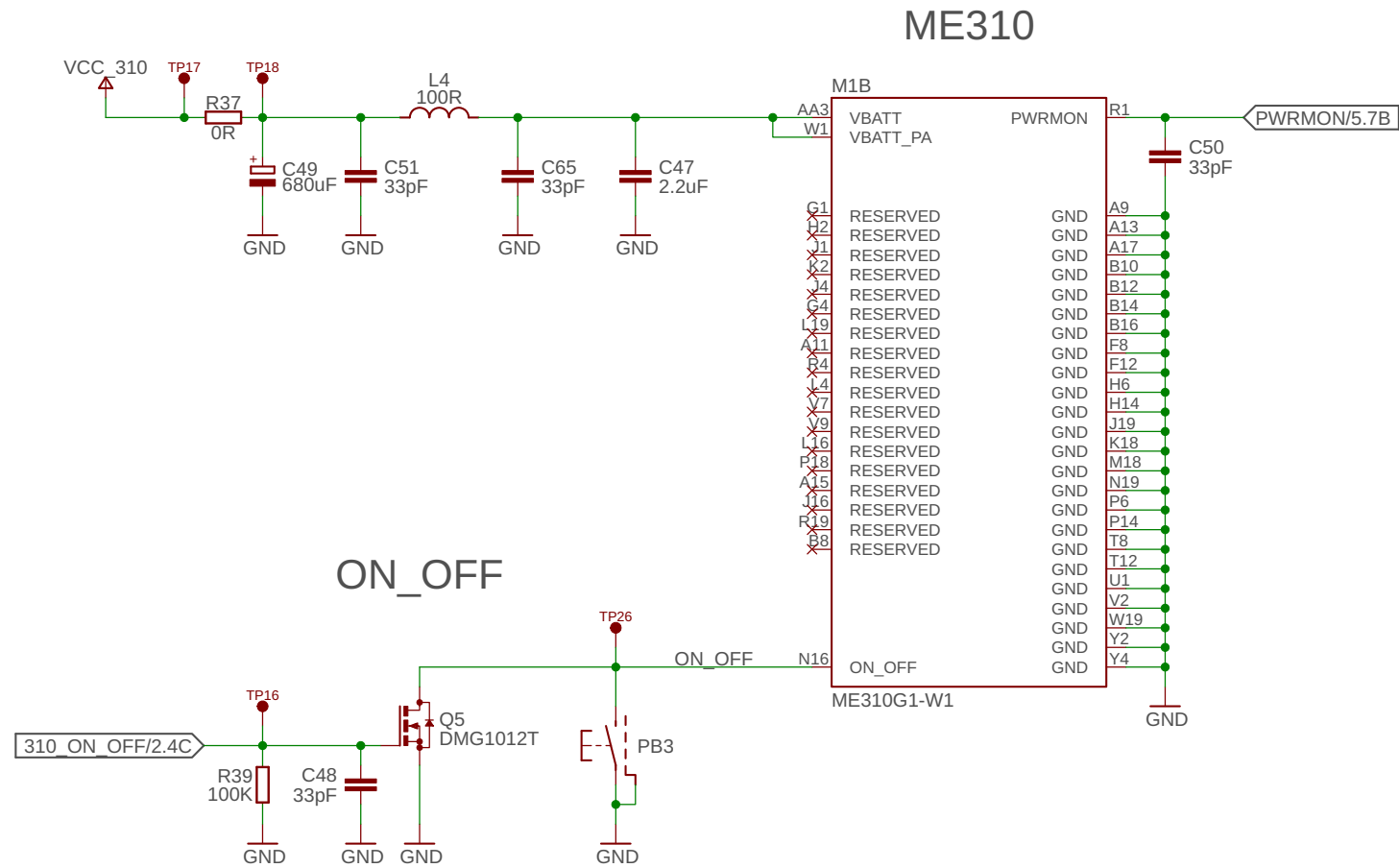
Use Li-Ion battery Vnom = 3.7V, Vchrg = 4.2V Capacity >= 700 mAh

Li-Po batteries are charged at 4.2V with a current that is usually half of the nominal capacity (C/2). This board has a specialized chip that has a preset charging current of 350mAh. This means that the MINIMUM capacity of the Li-Po battery shall be 700 mAh. Smaller cells will be damaged by this current and may overheat, develop internal gasses and explode, setting on fire the surroundings. We strongly recommend that you select a Li-Po battery of at least 700mAh capacity. A bigger cell will take more time to charge, but won't be harmed or overheated.

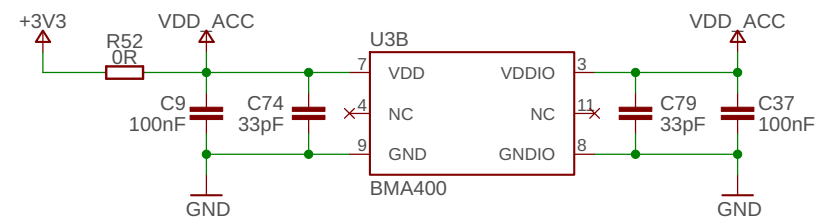
ISSUE	TELIT COMM. SPA	THIS DRAWING CONTAINS PROPRIETARY INFORMATION AND SHOULD NOT BE USED WITHOUT WRITTEN PERMISSION.	© 2021
DRAWN C. Pino	TITLE Telit Board "Charlie"		REV C.1
CHECKED F. Deperini	DATE	DRG N° 190517-CP	
DATE 21 May 2021	FILE: 200515_Telit_Charlie_C1	PAGE: 5/6	

THE INFORMATION CONTAINED IN THIS DRAWING IS THE SOLE PROPERTY OF THE AUTHOR.  
ANY REPRODUCTION IN PART OR WHOLE IS STRICTLY PROHIBITED WITHOUT WRITTEN PERMISSION.

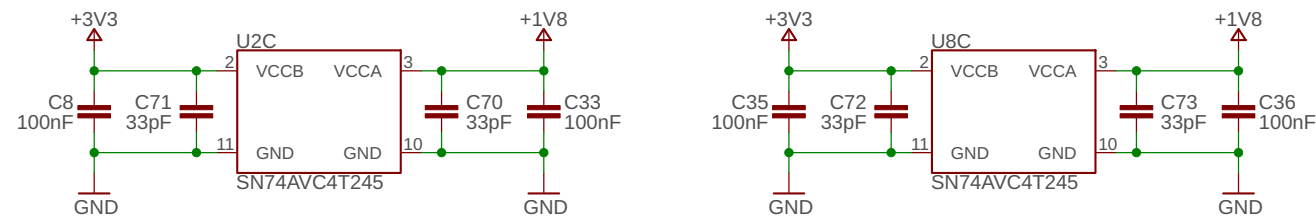
PROPRIETARY



### Accelerometer



### LEVEL SHIFTERS



- FD1
- FD2
- FD3
- FD4
- FD5
- FD6

ISSUE	TELIT COMM. SPA	THIS DRAWING CONTAINS PROPRIETARY INFORMATION AND SHOULD NOT BE USED WITHOUT WRITTEN PERMISSION.	© 2021
DRAWN C. Pino	TITLE Telit Board "Charlie"		REV C.1
CHECKED F. Deperini	DATE	DRG N° 190517-CP	
DATE 21 May 2021	FILE: 200515_Telit_Charlie_C1	PAGE: 6/6	